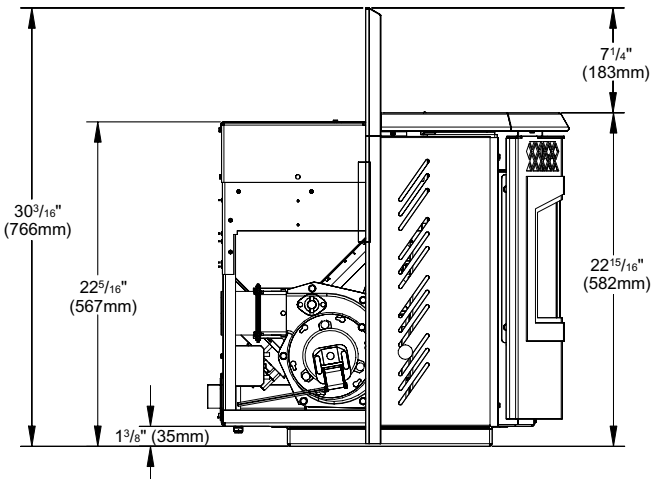
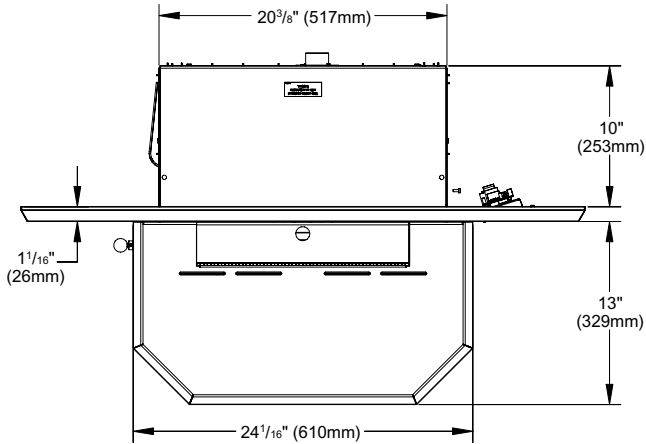
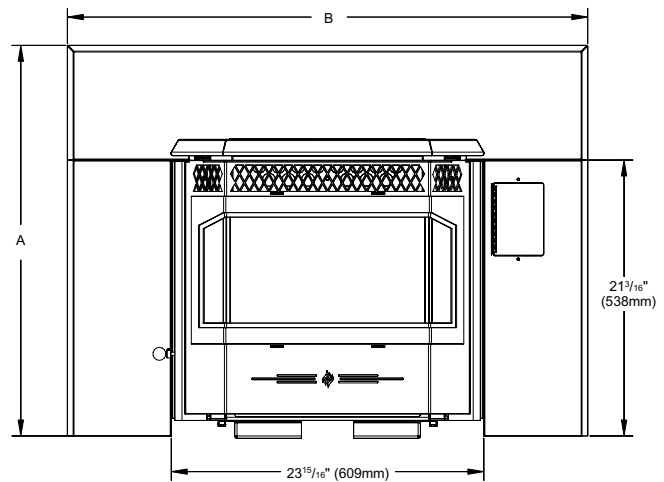


GFI55 Greenfire Pellet Insert



FACEPLATE DIMENSIONS	
Regular Faceplate	
(A) Height	30" (761mm)
(B) Width	39-15/16" (1014mm)
Oversize Faceplate	
(A) Height	33" (838mm)
(B) Width	45-15/16" (1167mm)



CLEARANCES TO COMBUSTIBLES

The fireplace insert is certified to be installed into a masonry fireplace only and/or zero clearance wood burning factory built fireplace where allowed by local codes. This model includes a surround faceplate and a pedestal. When installing this unit, ensure that the pedestal is removed from the inside of the hopper and installed on the bottom of the unit.

From the body of the heater to the:

Side Wall	8" (203mm) minimum
Facing on Masonry Fireplace:	8" (203mm) minimum
8" (203mm) mantle:	8" (203mm) minimum

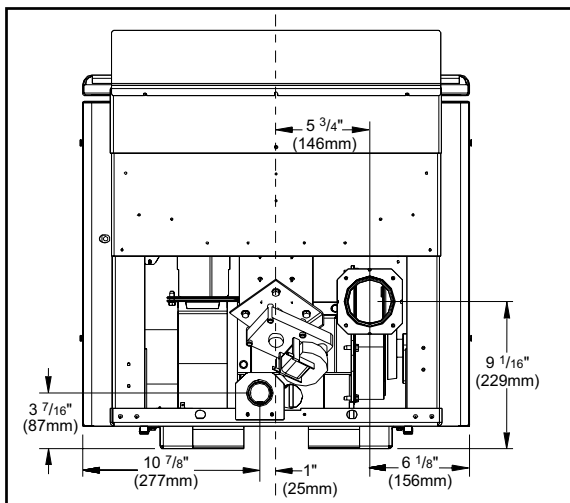
FIREPLACE SPECIFICATIONS

Your fireplace opening requires the following minimum sizes:	
Height 55 lbs hopper (standard)	22.75" (578mm)
42 lbs hopper (adjusted)	19.5" (495mm)
Width	26" (660mm)
Depth	15" (381mm)

EXHAUST AND FRESH AIR INTAKE LOCATION

EXHAUST:	
Base of unit to center of flue	9-1/16" (229mm)
Side of unit to center of flue	6-1/8" (156mm)
Center of unit to center of flue	5-3/4" (146mm)
FRESH AIR INTAKE:	
Base of unit to center of intake	3-7/16" (87mm)
Side of unit to center of intake	10-7/8" (277mm)
Center of unit to center of intake	1" (25mm)

INSTALL VENT AT CLEARANCES SPECIFIED BY THE VENTING MANUFACTURER.



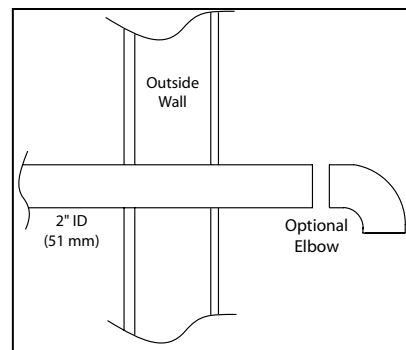
OUTSIDE FRESH AIR CONNECTION

Outside fresh air is mandatory when installing this unit in airtight homes and mobile homes.

A Fresh-air intake is strongly recommended for all installations.

Failure to install intake air may result in improper combustion as well as the unit smoking during power failures.

When connecting to an outside fresh air source, do not use plastic or combustible pipe. A 2" minimum (51 mm) ID (inside diameter) steel, aluminum or copper pipe should be used. It is recommended, when you are installing a fresh air system, to keep the number of bends in the pipe to a minimum.



MASONRY FIREPLACE INSERT INSTALLATION

