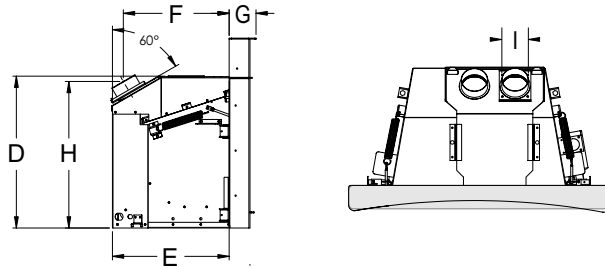
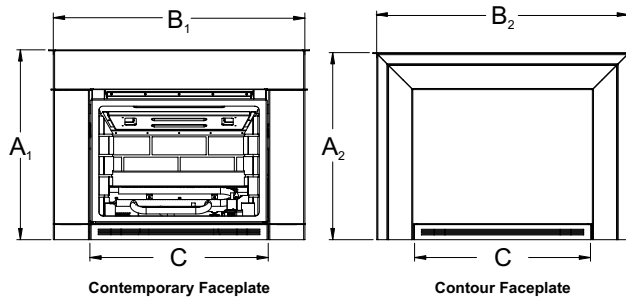


L234 Gas Insert

Model	L234-NG	L234-LP
Fuel Type	Natural Gas	Propane
Minimum Supply Pressure	5" W.C. (1.25 kPa)	12" W.C. (2.99 kPa)
Manifold Pressure - High	3.8" W.C. (0.95 kPa)	11" W.C. (2.74 kPa)
Manifold Pressure - Low	1.1" W.C. (0.27 kPa)	2.9" W.C. (0.72 kPa)
Orifice Size -Altitude 0-4500 ft.	#42 DMS	#54 DMS
Minimum Input Altitude 0-4500 ft. (0-1372m)	12,500 BTU/h (3.66 kW)	11,000 BTU/h (3.22 kW)
Maximum Input Altitude 0-4500 ft. (0-1372m)	23,500 BTU/h (6.89 kW)	21,500 BTU/h (6.30 kW)
Vent Sizing	3"x3" Co-linear (Standard) 2"x3" Co-linear (Optional)	3"x3" Co-linear (Standard) 2"x3" Co-linear (Optional)
Approved Venting Systems		
Flex Vent Systems:		FPI AstroCap™ Flex Vent

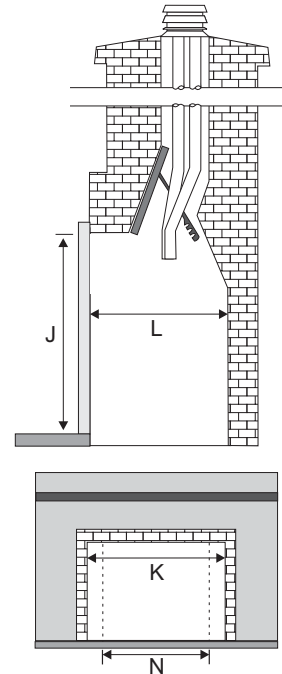


Gas Inserts



Minimum Fireplace Dimensions

The minimum fireplace dimensions for the FPI gas fireplace insert are shown in the following diagrams:



Dimension	Description	L234
A ₁	Contour Faceplate Width	27-1/2" (699mm)
B ₁	Contour Faceplate Height	20-3/4" (527mm)
A ₂	Contemporary Faceplate Width	27-3/4" (705mm)
B ₂	Contemporary Faceplate Height	21" (533mm)
C	Unit Width	19-1/2" (495mm)
D	Unit Height	16-7/8" (429mm)
E	Unit Depth	13" (330mm)
F	Faceplate to Vent Centerline	11-3/4" (299mm)
G	Contour Faceplate Depth	2-1/2" (64mm)
G	Contemporary Faceplate Depth	3" (76mm)
H	Height to Vent Collar	16-1/4" (413mm)
I	Air Intake Collar (Standard)	3" (76mm)
I	Air Intake Collar (Optional)	2" (51mm)

Dimension	Description	Contour Faceplate	Contemporary Faceplate
J	Height	17" (432mm)	17" (432mm)
K	Width	25" (635mm)	25" (635mm)
L	Depth	14" (356mm)	14" (356mm)
N	Rear Width	16" (406mm)	16" (406mm)

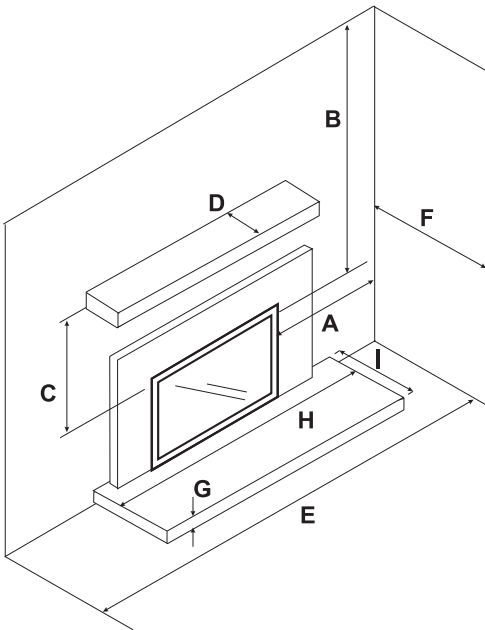
L234 Gas Insert

Clearances

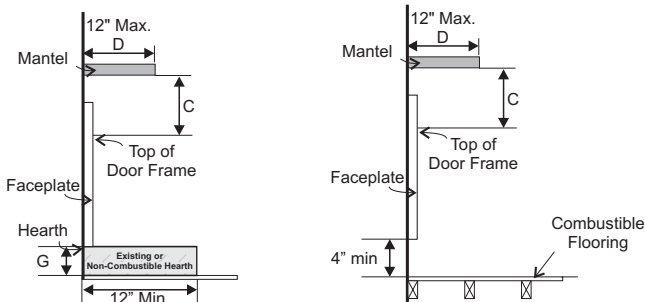
Unless otherwise stated the clearances listed below are Minimum distances to combustible materials. **Please Note: A major cause of chimney related fires is due to a failure to maintain required clearances (air space) to combustible materials. It is of the greatest importance that this fireplace and vent system be installed only in accordance with these instructions.**

Clearances to Combustibles		
Dimension	Description	L234
A	From Unit to Side Walls	8" (203mm)
B	From Unit to Ceiling	56" (1422mm)
C	Minimum Mantel Height	21" (533mm)
D	Maximum Mantel Depth	12" (305mm)
E	Alcove Width	60" (1524mm)
F	Alcove Depth	36" (914mm)
G	Hearth Height	1-1/2" (38mm)
H	Hearth Width	28" (711mm)
I	Hearth Depth	12" (305mm)

Dimensions are measured from the edge of the door frame.



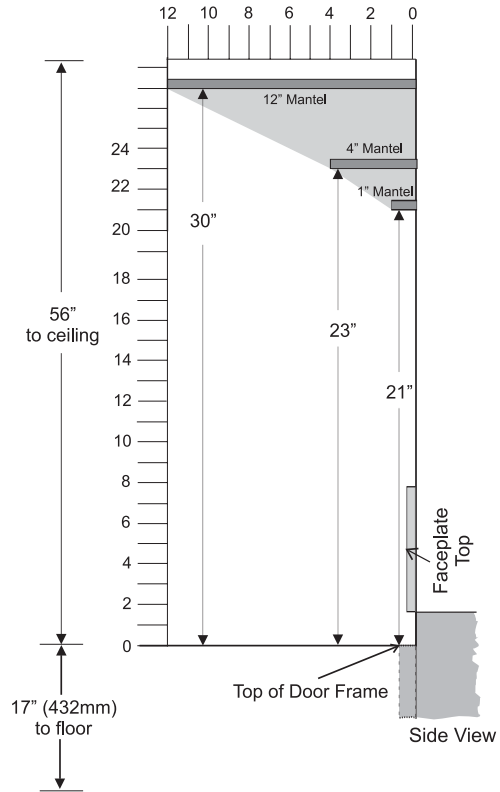
Hearth Clearances Flush and Raised



No Hearth required when unit is raised 4"

Combustible Mantels

Because of the extreme heat this fireplace emits, the mantel clearances are critical. Combustible mantel clearances from top of the louvers are shown in the diagram below. Mantel may be installed anywhere in the shaded area or higher.

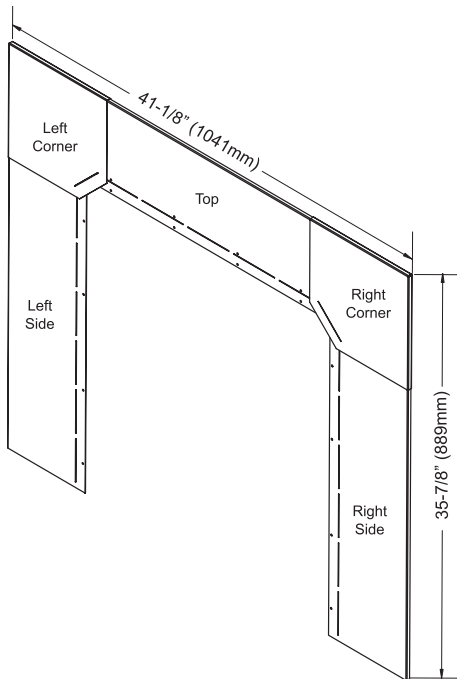


Flush Front Mantel Clearances

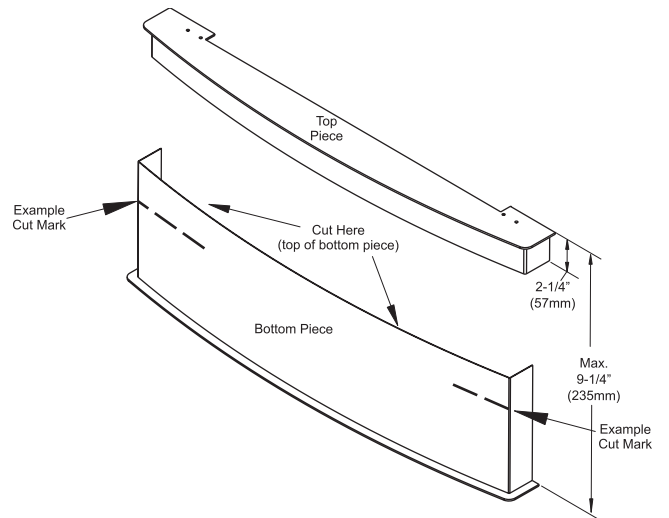
Note: A non-combustible mantel may be installed at a lower height.

Note: Ensure the paint that is used on the mantel and the facing is "heat resistant" or the paint may discolour.

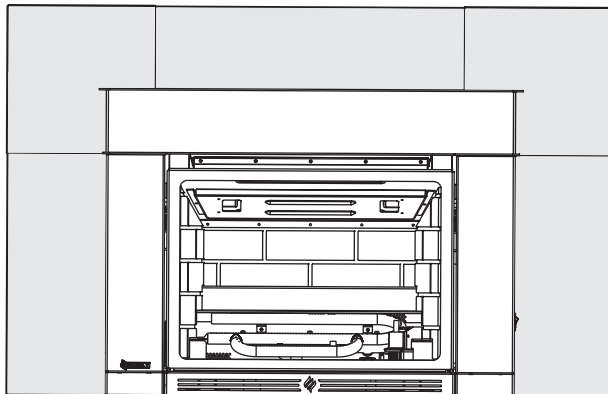
OPTIONAL BACKING PLATE



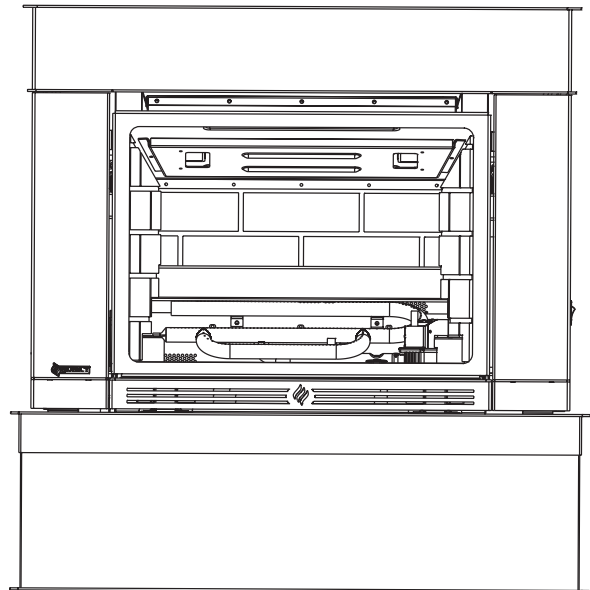
OPTIONAL HEARTH TRIM



Completed Backing Plate Installation:



Completed Hearth Trim Installation:



Gas Inserts