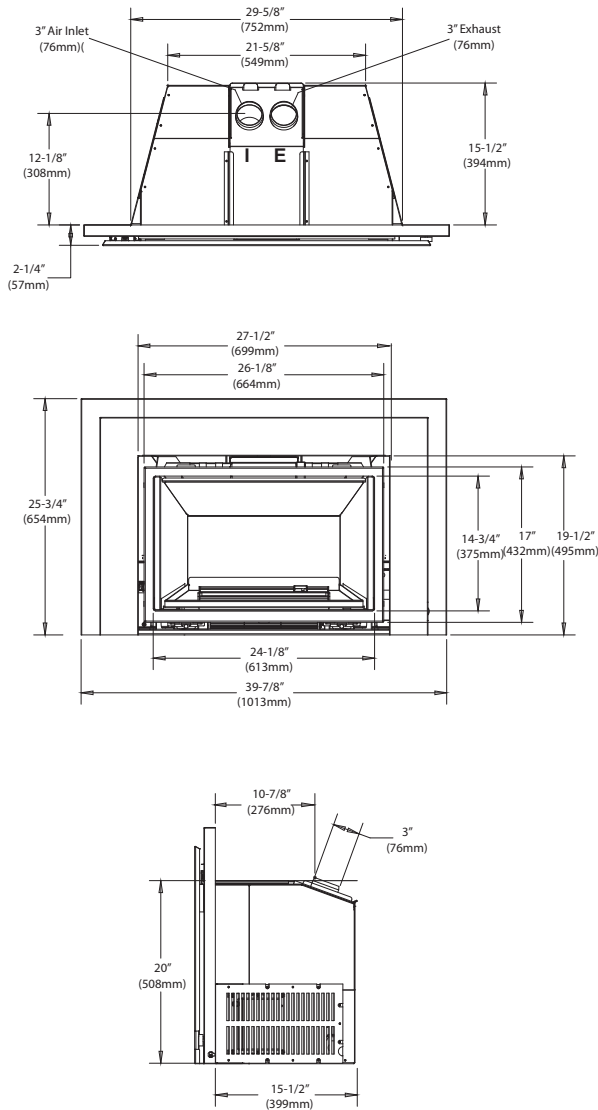


L390E / L390EB Gas Insert

| Model | L390E/L390EB-NG | L390E/L390EB-LP |
|--|--|--|
| Fuel Type | Natural Gas | Propane |
| Minimum Supply Pressure | 5" W.C. (1.25 kPa) | 11" W.C. (2.73 kPa) |
| Manifold Pressure - High | 3.5" W.C. (0.87 kPa) | 10" W.C. (2.48 kPa) |
| Manifold Pressure - Low | 1.6" W.C. (0.41 kPa) | 6.4" W.C. (1.59 kPa) |
| Orifice Size -Altitude 0-4500 ft. | #35 DMS | #53 DMS |
| Minimum Input Altitude 0-4500 ft. (0-1372m) | 22,000 BTU/h (6.45 kW) | 26,000 BTU/h (7.62 kW) |
| Maximum Input Altitude 0-4500 ft. (0-1372m) | 31,000 BTU/h (9.09 kW) | 31,000 BTU/h (9.09 kW) |
| Vent Sizing | 3"x 3" Co-linear (Standard) 2"x 3" Co-linear (Optional) | 3"x 3" Co-linear (Standard) 2"x 3" Co-linear (Optional) |

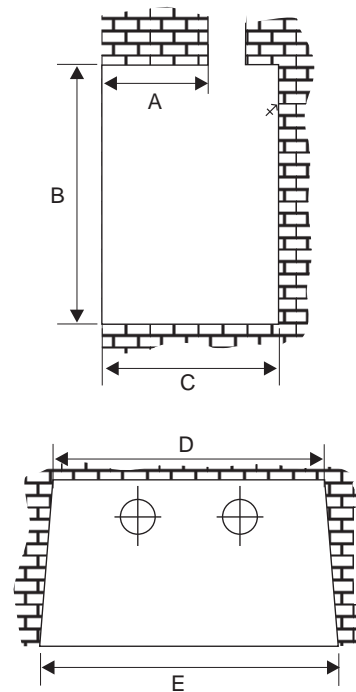
Approved Venting Systems

Flex Vent Systems: FPI AstroCap™ Flex Vent



MINIMUM FIREPLACE DIMENSIONS

| | Max Lenth Bar Depth A | Height B | Depth C | Width (rear) D | Width (front) E |
|-----------------------|-----------------------|----------|---------|----------------|-----------------|
| Low Profile Faceplate | 10" | 20" | 15.5" | 22" | 30" |



MINIMUM CLEARANCES TO COMBUSTIBLES

The clearances listed below are Minimum distances unless otherwise stated:

A major cause of fires is failure to maintain required clearances (air space) to combustible materials. It is of the greatest importance that this decorative gas appliance be installed only in accordance with these instructions.

| Clearance: | Dimension | Measured From: |
|--|-----------------------------|--|
| A: Sides | 6" / 152 mm | side of unit |
| B: Ceiling | 60" / 1524 mm | top of unit |
| C: Mantel (Min. Height) | *12" / 305mm 15" / 381mm | From top of unit, or 32" from bottom of unit From top of unit, or 35" from bottom of unit |
| D: Min. Hearth Width | 14" / 356mm | |
| E: Min. Hearth Length | 40" / 1016mm | |
| G: Max. Mantle Depth | 0 -12" / 305 mm | @ 44" (1118mm) from bottom of unit |
| K: Min. Alcove Width | 54" / 1372 mm | |
| L: Max. Alcove Depth | 36" / 914 mm | |
| M: Mantel Deflector | 3-1/2" / 89mm | |
| NOTE: 40" (1016MM) wide x 14" (356mm) deep hearth is required, unless the unit is raised 6" (152.4 mm) off the floor surface. *An optional 3-1/2" deflector, reduces the mantel height to 32" from bottom of unit @ 1" depth. | | |

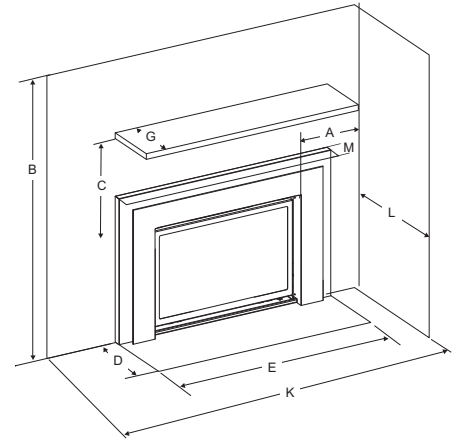


Diagram 1

MANTEL CLEARANCES WITHOUT DEFLECTOR

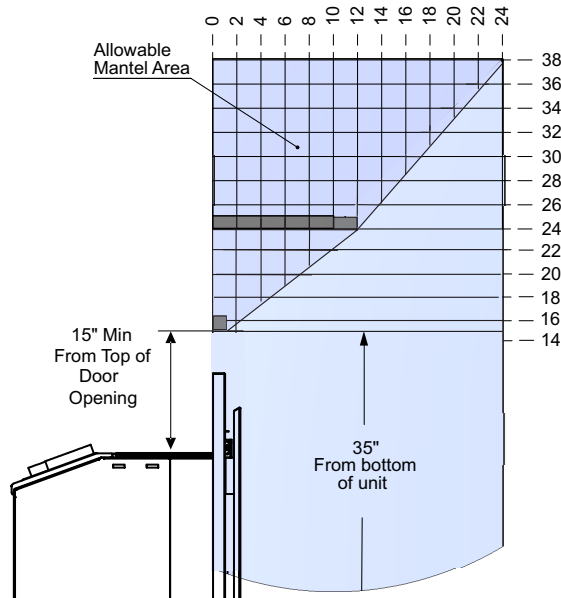


Diagram 2

MANTEL CLEARANCES WITH 3-1/2" DEFLECTOR

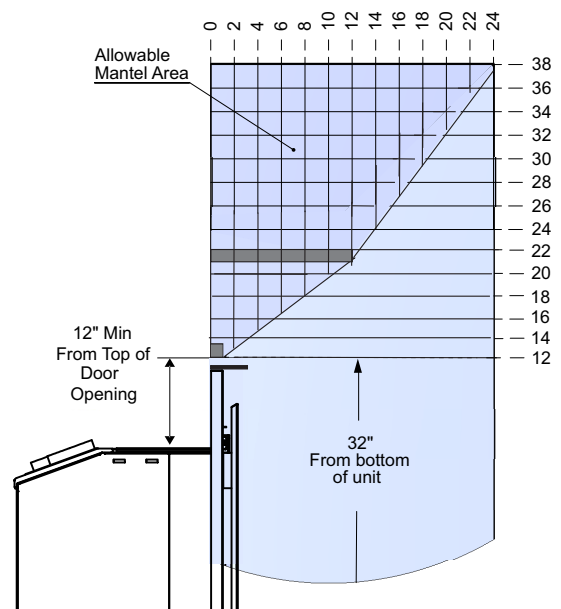


Diagram 3

WARNING

Although this appliance passes safety certification, the hearth in front of the fireplace becomes very hot when the fireplace heats. Do not use the hearth as a seat or shelf.

Note: A 3-1/2" mantel deflector to reduce mantel height to 32" from bottom of unit @ 1" depth.

A noncombustible mantel may be installed at a lower height if the framing is made of metal studs covered with a noncombustible board.

VENTING

THE APPLIANCE MUST NOT BE CONNECTED TO A CHIMNEY FLUE SERVING A SEPARATE SOLID FUEL BURNING APPLIANCE.

This appliance is designed to be attached to two 3" (76mm) co-linear aluminium flex running the full length of the chimney. The flue length must be a minimum length of 8' (2.44m) and a maximum of 35' (10.7m). See chart below for minimum distances from roof. Periodically check that the vent is unrestricted.

Masonry chimneys may take various contours which the flexible liner will accommodate. However, **keep the flexible liner as straight as possible**, avoid unnecessary bending.

The Air Intake pipe must be attached to the inlet air collar of the termination cap.

| Part # | Description |
|---------|---------------------------------------|
| 948-305 | 3" Flex - 35 ft. |
| 946-529 | Co-linear DV Vertical Termination Cap |

Alternate Approved Caps

- 46DVA-VC Vertical Termination Cap
- 46DVA-VCH High Wind Cap
- 46DVA-GK 3" Co-linear Adaptor with flashing

In areas of consistently high winds, we recommend using the Simpson Dura-Vent System (46DVA-GK adapter and 46DVA-VCH high-wind cap).

The Air Intake pipe must be attached to the inlet air collar of the termination cap.

The Air Intake pipe must be attached to the inlet air collar of the termination cap..

