

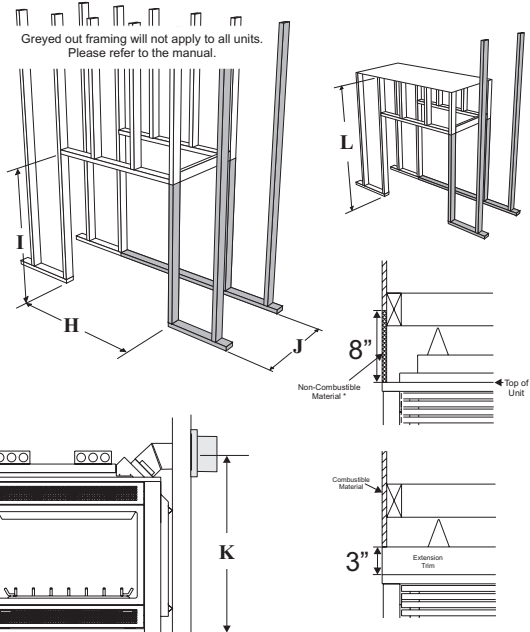
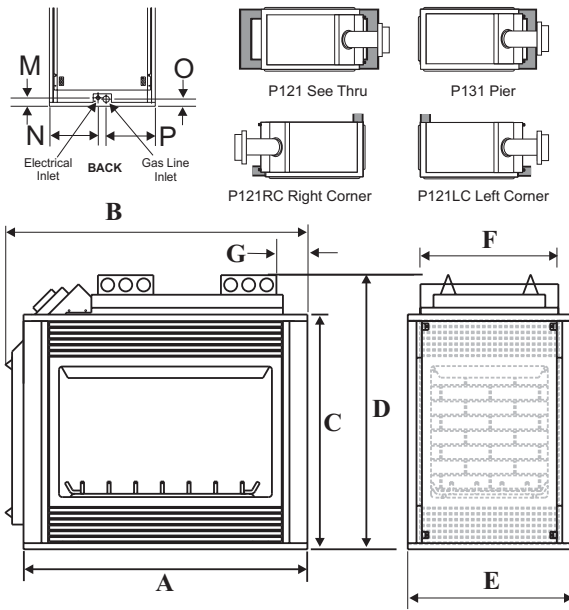
P121 - P121LC/RC - P131 Zero Clearance Direct Vent Gas Fireplace

Model	P121/P131-NG2	P121/P131-LP2
Fuel Type	Natural Gas	Propane
Minimum Supply Pressure	5" W.C. (1.25 kPa)	12" W.C. (3.00 kPa)
Manifold Pressure - High	3.8" W.C. (0.95 kPa)	11" W.C. (2.74 kPa)
Manifold Pressure - Low	1.1" W.C. (0.27 kPa)	2.9" W.C. (0.72 kPa)
Orifice Size	#31 DMS	#50 DMS
Minimum Input	20,500 BTU/h (6.01 kW)	20,600 BTU/h (6.04 kW)
Maximum Input	40,000 BTU/h (11.72 kW)	39,000 BTU/h (11.43 kW)
Vent Sizing	4" Inner / 6-5/8" Outer	4" Inner / 6-5/8" Outer

Approved Venting Systems	
Flex Vent Systems:	FPI AstroCap™ Flex Vent
Rigid Pipe Vent Systems:	Simpson Dura-Vent® Direct Vent GS American Metal Products Ameri Vent Security Secure Vent® Selkirk Direct-Temp.



Gas Fireplaces



Unit Dimensions	Description	P121	P121LC/RC	P131
A	Front Face Width	43-1/2" (1105mm)	41-1/2" (1054mm)	41-1/2" (1054mm)
B	Total Firebox Width	46-1/4" (1175mm)	44-1/2" (1130mm)	44-1/2" (1130mm)
C	Front Face Height	36" (914mm)	36" (914mm)	36" (914mm)
D	Height w/ Standoff	42" (1067mm)	42" (1067mm)	42" (1067mm)
E	Unit Depth	25" (635mm)	26-13/16" (681mm)	25" (635mm)
F	Top Offset Depth	21-1/8" (537mm)	21-1/8" (537mm)	21-1/8" (537mm)
G	Inset to Standoff	4-3/4" (121mm)	4-3/4" (121mm)	3" (76mm)

If the provided 3" extension trim is not installed the P121(LC/RC)/P131 must be installed with non-combustible facing up to 8" above the fireplace. Otherwise combustible facing may be used above the extension trim.

Please refer to Page 11 (Exterior Vent Terminations) for additional guidelines on vent locations.

Framing Dimensions	Description	P121	P121LC/RC	P131
H	Framing Width	46-3/4" (1187mm)	45" (1143mm)**	45" (1143mm)**
I**	Framing Height **	42-1/2" (1080mm)	42-1/2" (1080mm)	42-1/2" (1080mm)
J**	Framing Depth**	25" (635mm)**	26-13/16" (681mm)	25" (635mm)**
K	Vent Centerline Height	42-13/16" (1072mm)		
L	Framed Chase Ceiling	48-1/4" (1226mm)		
M	Electrical Inlet Height	2" (51mm)	2" (51mm)	2" (51mm)
N	Electrical Inlet Inset	11-3/8" (289mm)	13-5/16" (338mm)	11-3/8" (289mm)
O	Gas Connection Height	1-11/16" (43mm)	1-11/16" (43mm)	1-5/8" (41mm)
P	Gas Connection Inset	11-1/2" (292mm)	11-1/2" (292mm)	11-1/2" (292mm)

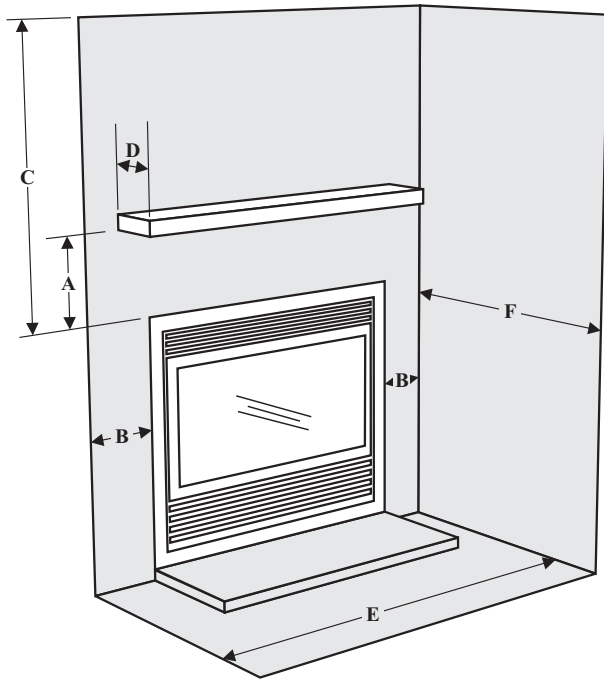
** Refer to the manual for variations effected by finishing material thickness.

P121-P131 Gas Fireplace

Framing and Finishing

- 1) Determine the total thickness of facing material (e.g. drywall plus ceramic tiles) to allow the finished surface to be flush with the front of the unit. Total facing thickness can vary from 1/2" (13mm) to 1-1/4" (32mm) thick.
- 2) Frame in the enclosure for the unit with framing material.
- 3) For exterior walls, insulate the enclosure to the same degree as the rest of the house, apply vapor barrier and drywall, as per local installation codes. **(Do not insulate the fireplace itself.)**
- 4) The top of the unit must not be closer than 36" (990mm) to the ceiling.
- 5) Combustible material may be brought up to the top and sides of the unit and be covered with ceramic tiles, bricks, rock or other suitable combustible finishing materials. **Note: The unit does not have to be completely enclosed in a chase. The clearance on top of the unit is 0" to the standoffs so combustible building materials can be laid directly on top of the standoffs. You must maintain proper clearances from the vent to combustible materials (See Below).**
- 6) Use metal studs for framing where the minimum clearance from the vent to combustible material cannot be maintained.

Clearance Requirements



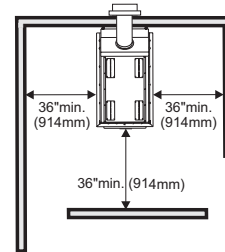
Clearance:	Dimension	Measured From:
A: Mantel Height	3" (76mm)	Minimum (Additional on this page)
B: Sidewall	0" (0mm) 3" (76mm)	Side of installed front On P121-2 See-Thru 3" clearance opposite vent.
C: Ceiling	36" (914mm)	Top of installed unit
D: Mantel Depth	12" (305mm)	Maximum (Additional on this page)
E: Alcove Width	See Parallel Wall Clearances.	
F: Alcove Depth	36" (914mm)	Front to back wall (Maximum)

Top of Hearth must not be higher than the base of the firebox.

Parallel Wall Clearances

Unless otherwise stated the clearances listed below are Minimum distances to combustible materials. Unit pictured is a P131

Parallel Wall Clearances	P121(LC/RC)/131
Min distance from glass to a parallel wall	36" (914mm)



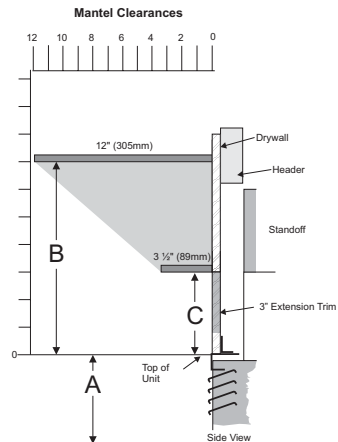
Vent Clearances	Clearance Dimension
Horizontal - Top	2-1/2" (64mm)
Horizontal - Side	1-1/2" (38mm)
Horizontal - Bottom	1-1/2" (38mm)
Vertical	1-1/4" (32mm)

WARNING

Failure to maintain required clearances is a major cause of chimney related fires. Installation of this fireplace must comply with these clearances.

Combustible Mantels

Because of the extreme heat this fireplace emits, the mantel clearances are critical. Combustible mantel clearances from top of the louvers are shown in the diagram below. Mantel may be installed anywhere in the shaded area or higher.



Note: If the fireplace is installed without the 3" Extension Trim, the facing material must be non combustible up to 8" above the unit.

Mantel Clearances	A	B	C
Front	36" (914mm)	7" (178mm)	3" (76mm)

Note: If desired a non-combustible mantel may be installed at a lower height.

Note: Ensure the paint that is used on the mantel and the facing is "heat resistant" or the paint may discolour.

Regency Direct Vent System (Flex) Horizontal Terminations Only

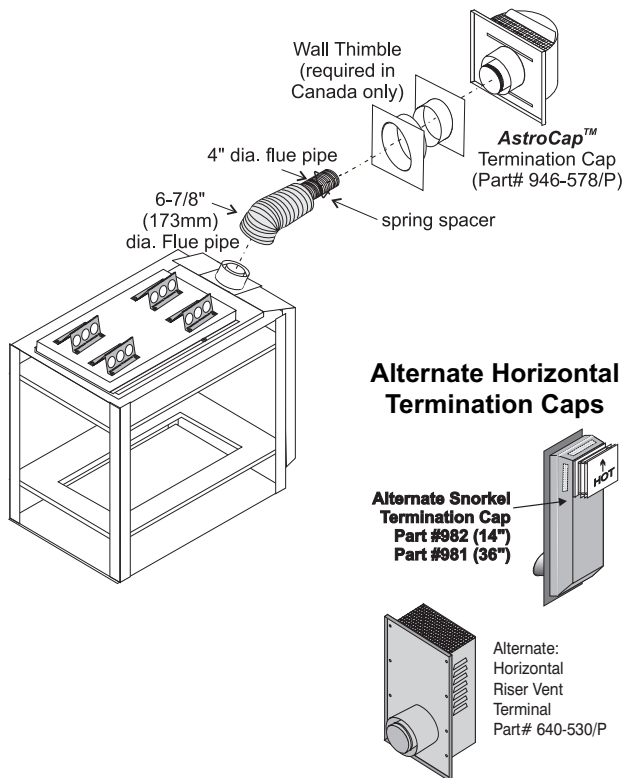
These venting systems, in combination with the P121/P131 Direct Vent Gas Fireplace, have been tested and listed as a direct vent heater system by Warnock Hersey. The location of the termination cap must conform to the requirements in the Vent Terminal Locations diagram.

FPI Direct Vent (Flex) System Termination Kits include all the parts needed to install the P42 using a flexible vent.

FPI Kit #	Length	Contains:
#946-513	2 Feet	1) 6-5/8" flexible liner (Kit length) 2) 4" flexible liner (Kit length) 3) spring spacers (3) 4) thimble (2)
#946-515	4 Feet	5) AstroCap termination cap (1) 6) screws (12) 7) tube of Mill Pac (1)
#946-516	10 Feet	8) plated screws (8) 9) S.S. screws #8 x 1-1/2" drill point, (4)

Notes:

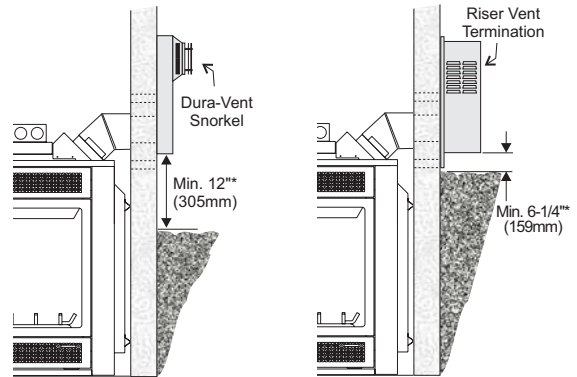
- 1) Liner sections should be continuous without any joints or seams.
- 2) Only Flex pipe purchased from Regency may be used for Flex installations.
- 3) Horizontal sections must be supported every 3 feet.



Snorkel Terminations

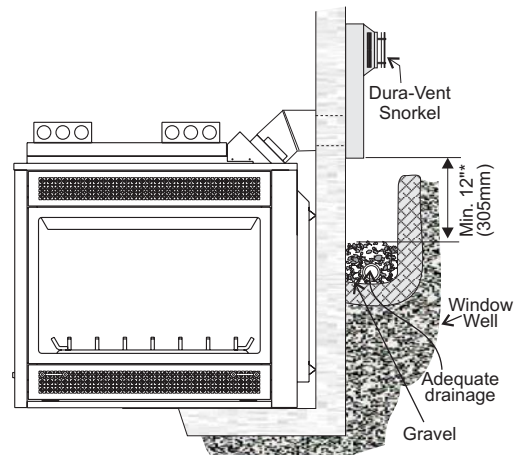
Snorkel Terminations:

For installations requiring a vertical rise on the exterior of the building, 14-inch and 36-inch tall Snorkel Terminations and the Riser Vent are available. Follow the same installation procedures as used for standard Horizontal Termination. NEVER install the snorkel upside down.



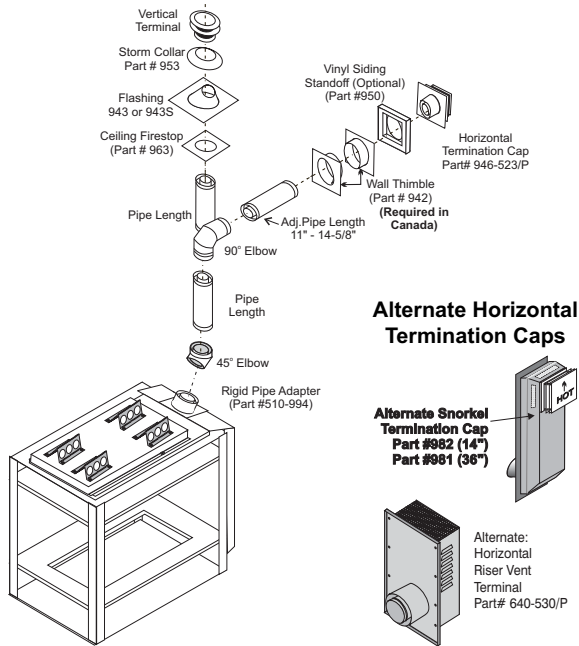
Below Grade Snorkel Installation (Dura-Vent Only)

If the Snorkel Termination must be installed below grade, i.e. basement application, proper drainage must be provided to prevent water from entering the Snorkel Termination. Refer to Rigid Pipe Installation instructions for details. Do not attempt to enclose the Snorkel within the wall, or any other type of enclosure.



P121-P131 Gas Fireplace

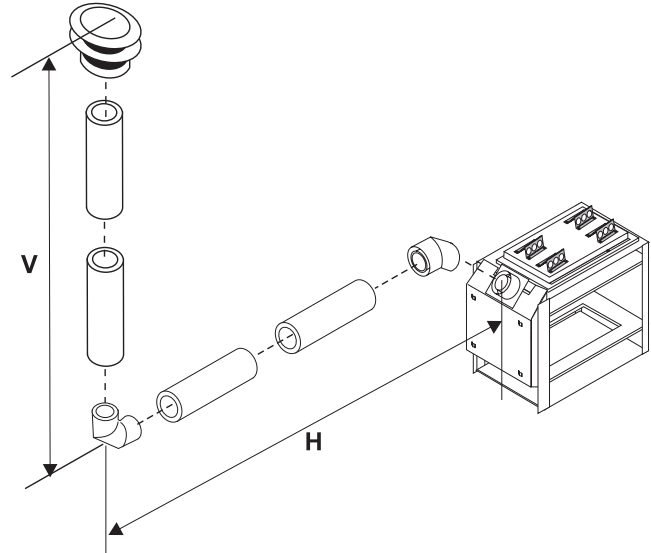
Rigid Pipe Venting Horizontal or Vertical Terminations



Vertical Venting with One (1) 90° Elbow

Two 45° elbows = One 90° elbow

Option	V	H	Maximum total pipe: length, of all sections, must not exceed 37 feet. Total horizontal sections must not exceed 8 feet. Minimum of 1 foot between 90° elbows is required.
A)	1' Min.	2' Max.	
B)	2' Min.	4' Max.	
C)	3' Min.	6' Max.	
D)	4' Min.	8' Max.	



Venting Arrangements - Vertical Terminations

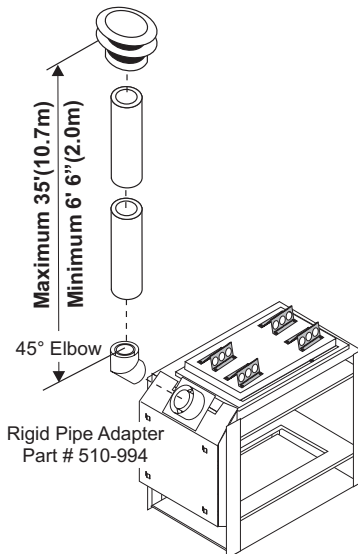
Rigid Pipe System

(Propane & Natural Gas)

The P121 /131 is approved for a maximum 35 ft. straight vertical, with Rigid Pipe vent systems for Propane and Natural Gas.

- Vent must be supported at offsets.
- Horizontal sections must be supported every 3 feet.
- Firestops are required at each floor level and whenever passing through a wall.
- Maintain clearances to combustible materials.
- Minimum of 1' pipe section between elbows.

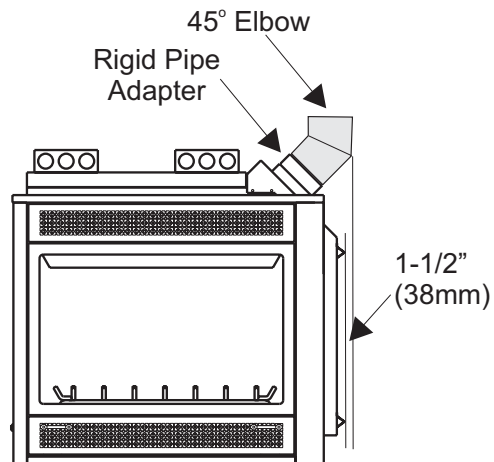
Note: Must use optional flue adapter when using Rigid Pipe (Part # 510-994).



IMPORTANT

When installing this unit vertically, the 45° elbow when installed in conjunction with the Rigid Pipe Adapter will protrude past the unit 1-1/2" (38mm) when measured from the rear standoffs.

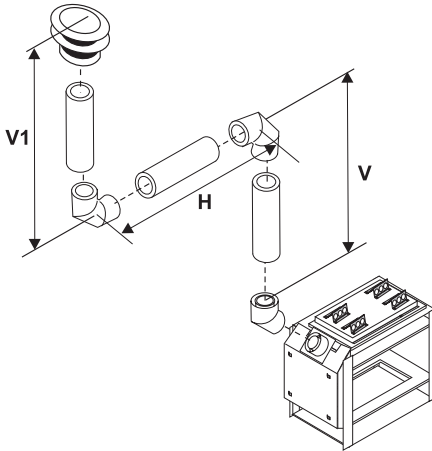
Note: A 1-1/4" (32mm) clearance from the elbow must also be maintained.



Vertical Venting with Two (2) 90° Elbows - Initial vertical section.

Two 45° elbows = One 90° elbow

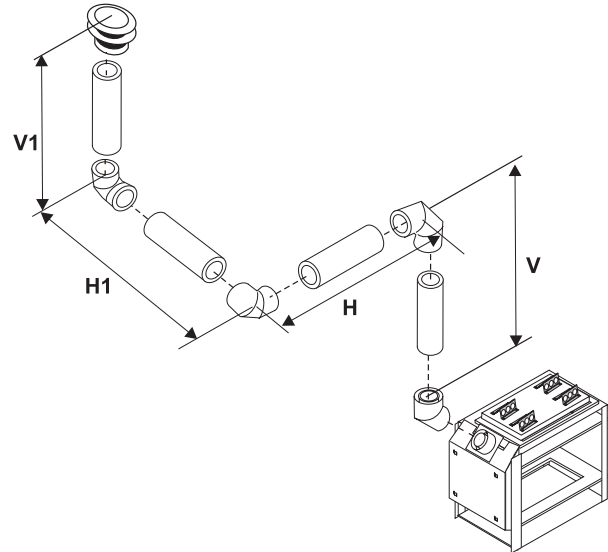
Option	V+ V1	H	Maximum total pipe: length, of all sections, must not exceed 37 feet. Total horizontal sections must not exceed 17 feet. Minimum of 1 foot between 90° elbows is required.
A)	1' Min.	4' Max.	
B)	2' Min.	6' Max.	
C)	3' Min.	9' Max.	
D)	4' Min.	12' Max.	
E)	5' Min.	15' Max.	
E)	6' Min.	17' Max.	



Vertical Venting with Three (3) 90° Elbows - Initial vertical section.

Two 45° elbows = One 90° elbow

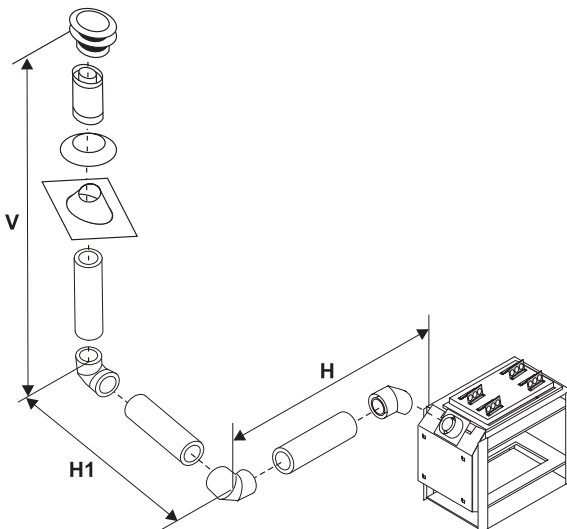
Option	V+ V1	H + H1	Maximum total pipe: length, of all sections, must not exceed 37 feet. Total horizontal sections must not exceed 12 feet. Minimum of 1 foot between 90° elbows is required.
A)	2' Min.	3' Max.	
B)	3' Min.	6' Max.	
C)	4' Min.	9' Max.	
D)	5' Min.	12' Max.	



Vertical Venting with Two (2) 90° Elbows - Initial horizontal section.

Two 45° elbows = One 90° elbow

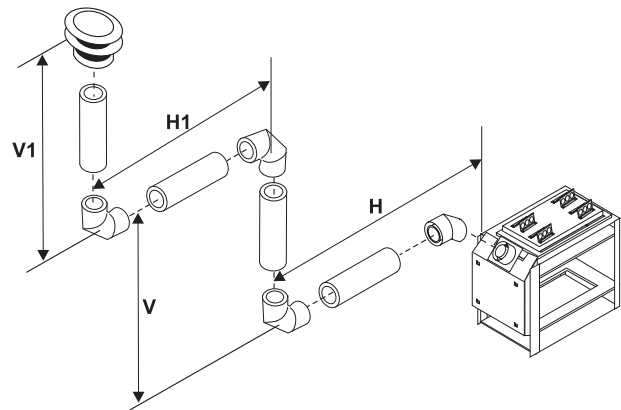
Option	H + H1	V	Maximum total pipe: length, of all sections, must not exceed 37 feet. Total horizontal sections must not exceed 8 feet. Minimum of 1 foot between 90° elbows is required.
A)	2' Max.	1' Min.	
B)	4' Max.	2' Min.	
C)	6' Max.	3' Min.	
D)	8' Max.	4' Min.	



Vertical Venting with Three (3) 90° Elbows - Initial horizontal section.

Two 45° elbows = One 90° elbow

Option	V+ V1	H	H + H1	Maximum total pipe: length, of all sections, must not exceed 37 feet. Total horizontal sections must not exceed 12 feet. Minimum of 1 foot between 90° elbows is required.
A)	2' Min.	1' Max.	2' Max.	
B)	3' Min.	4' Max.	5' Max.	
C)	4' Min.	6' Max.	8' Max.	
D)	5' Min.	8' Max.	12' Max.	



P121-P131 Gas Fireplace

Venting Arrangements - Horizontal Terminations

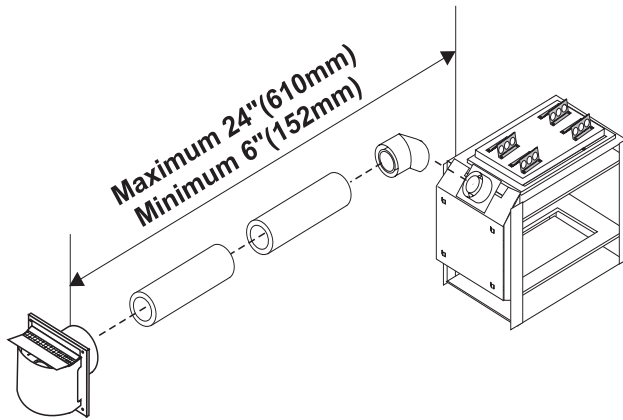
This diagram shows allowable venting configurations using one 45°.

Note: Must use optional flue adapter (Part # 770-994) when using Rigid Pipe.

- Maintain clearances to combustibles.
- Horizontal vent must be supported every 3 feet.
- Firestops are required at each floor level and whenever passing through a wall.

A vent guard should be used whenever the termination is lower than the specified minimum or as per local codes.

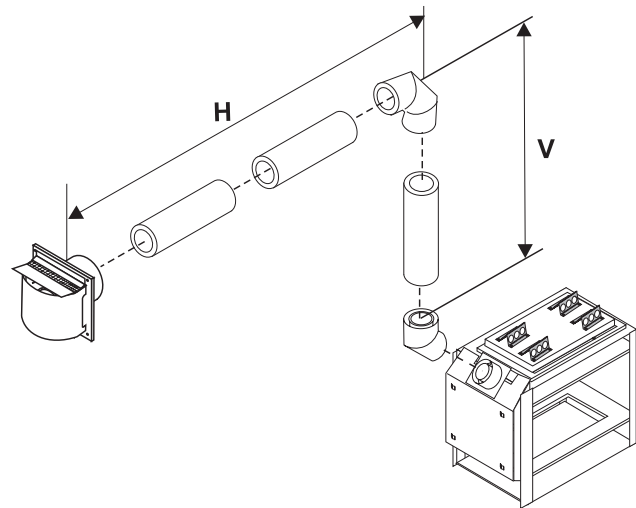
Note: FPI Direct Vent System (Flex) is only approved for horizontal terminations.



Horizontal Venting with One (1) 90° Elbow

Two 45° elbows = One 90° elbow

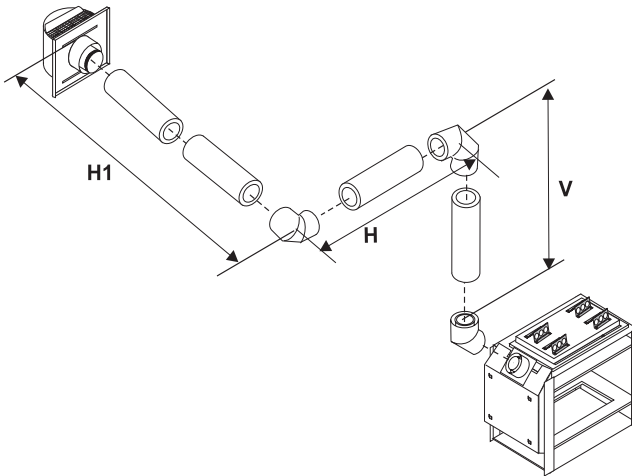
Option	V	H	Maximum total pipe: length, of all sections, must not exceed 37 feet. Total horizontal sections must not exceed 17 feet. Minimum of 1 foot between 90° elbows is required.
A)	1' Min.	3' Max.	
B)	2' Min.	6' Max.	
C)	3' Min.	9' Max.	
D)	4' Min.	12' Max.	
E)	5' Min.	15' Max.	
F)	6' Min.	17' Max.	



Horizontal Venting with Two (2) 90° Elbows - Initial vertical section.

Two 45° elbows = One 90° elbow

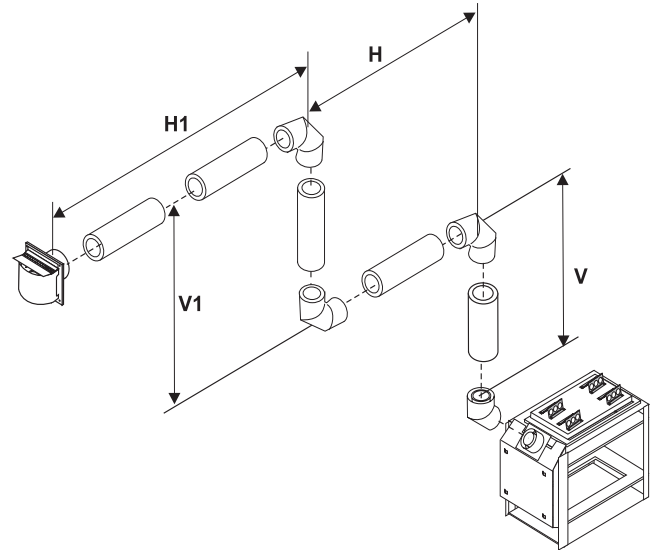
Option	V	H+ H1	Maximum total pipe: length, of all sections, must not exceed 37 feet. Total horizontal sections must not exceed 15 feet. Minimum of 1 foot between 90° elbows is required.
A)	1' Min.	2' Max.	
B)	2' Min.	5' Max.	
C)	3' Min.	8' Max.	
D)	4' Min.	11' Max.	
F)	6' Min.	15' Max.	



Horizontal Venting with Three (3) 90° Elbows - Initial vertical section.

Two 45° elbows = One 90° elbow

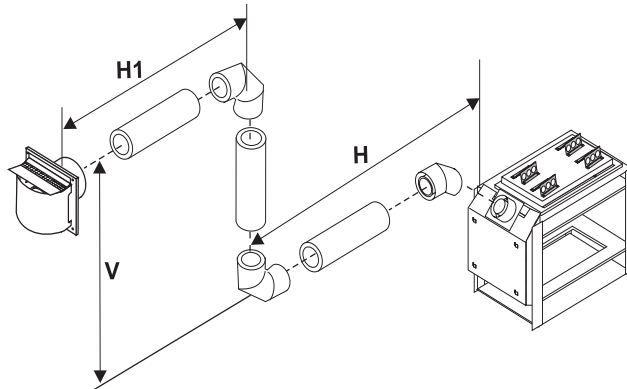
Option	V+ V1	H + H1	Maximum total pipe: length, of all sections, must not exceed 37 feet. Total horizontal sections must not exceed 12 feet. Minimum of 1 foot between 90° elbows is required.
A)	2' Min.	3' Max.	
B)	3' Min.	6' Max.	
C)	4' Min.	9' Max.	
D)	5' Min.	12' Max.	



Horizontal Venting with Two (2) 90° Elbows - Initial horizontal section.

Two 45° elbows = One 90° elbow

Option	H	V	H + H1	Maximum total pipe: length, of all sections, must not exceed 37 feet. Total horizontal sections must not exceed 12 feet. Minimum of 1 foot between 90° elbows is required.
A)	1' Max.	1' Min.	3' Max.	
B)	3' Max.	2' Min.	6' Max.	
D)	8' Max.	5' Min.	12' Max.	



Horizontal Venting with Three (3) 90° Elbows - Initial horizontal section.

Two 45° elbows = One 90° elbow

Option	H	V	H + H1 + H2	Maximum total pipe: length, of all sections, must not exceed 37 feet. Total horizontal sections must not exceed 12 feet. Minimum of 1 foot between 90° elbows is required.
A)	1' Max.	2' Min.	3' Max.	
B)	3' Max.	3' Min.	6' Max.	
C)	5' Max.	4' Min.	9' Max.	
F)	7' Max.	5' Min.	12' Max.	

