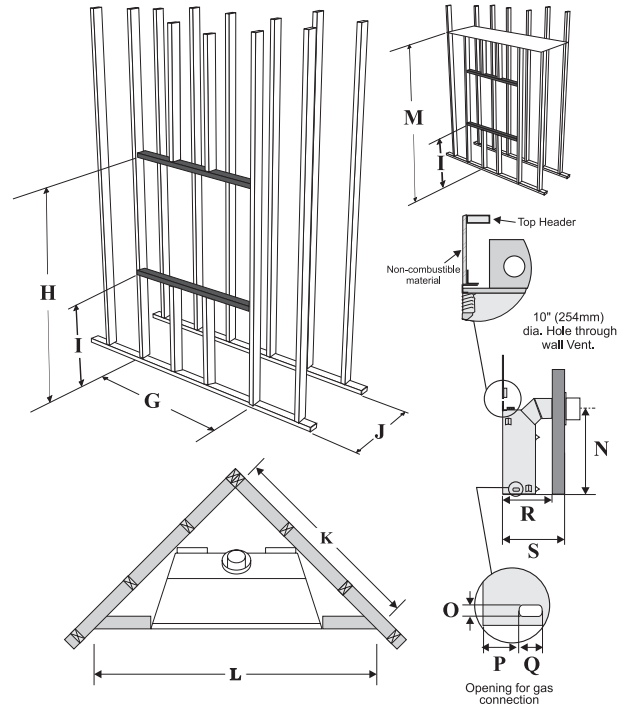
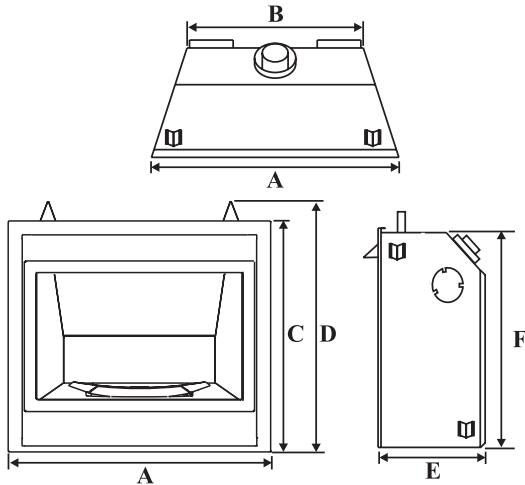


Regency P33 Sunrise Gas Fireplace

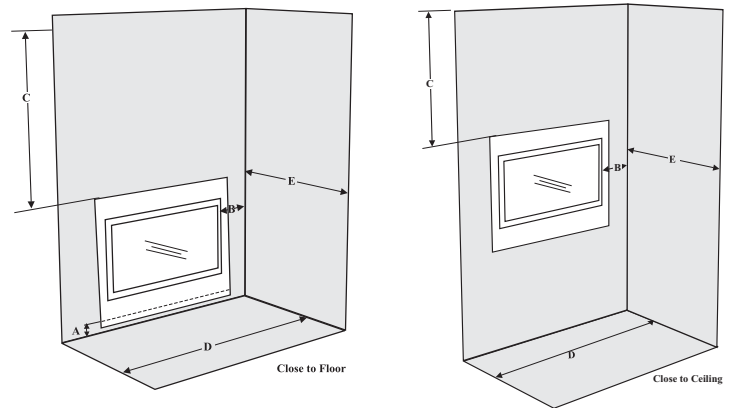
| Model | P33S-NG4 | P33S-LP4 |
|--|---------------------------|---------------------------|
| Fuel Type | Natural Gas | Propane |
| Minimum Supply Pressure | 5" W.C. (1.25 kPa) | 11" W.C. (2.73 kPa) |
| Manifold Pressure - High | 3.5" W.C. (0.87 kPa) | 10" W.C. (2.49 kPa) |
| Manifold Pressure - Low | 1.6" W.C. (0.39 kPa) | 6.4" W.C. (1.59 kPa) |
| Maximum Input Altitude 0-4500 ft. (0-1372m) | 17,000 BTU/h (4.98 kW) | 15,500 BTU/h (4.54 kW) |
| Vent Sizing | 4" Inner / 6 5/8" Outer | 4" Inner / 6 5/8" Outer |

| Approved Venting Systems | |
|--------------------------|--|
| Flex Vent Systems: | FPI AstroCap™ Flex Vent |
| Rigid Pipe Vent Systems: | Simpson Direct Vent Pro® American Metal Products® Amerivent Direct Security Secure Vent® Selkirk Direct-Temp™ Metal-Fab® Sure Seal |



| Dimension | Description | P33S |
|-----------|--|---|
| O | Gas Connection Height | 1-1/2" (38mm) |
| P | Gas Connection Inset | 4" (102mm) |
| Q | Gas Connection Width | 3" (76mm) |
| R | Minimum Framing Depth | 16 1/2" (419mm) Rigid / 12-3/4" (324mm) Flex |
| S | Maximum Framing Depth (including wall thickness) | 40 1/2" (1028mm) Rigid / 36-3/4" (933mm) Flex |

Clearance Requirements



| Unit Dimensions | Description | P33S |
|--------------------|--------------------------|---|
| A | Front Face Width | 33-5/8" (846mm) |
| B | Rear Firebox Width | 23" (584mm) |
| C | Front Face Height | 29" (737mm) |
| D | Height w/ Standoff | 31 1/2" (800mm) |
| E | Unit Depth | 12-3/4" (324mm) |
| F | Firebox Height | 29" (737mm) |
| Framing Dimensions | Description | P33S |
| G | Framing Width | 33-1/4" (845mm) |
| H** | Framing Height** | 31-3/4" (806mm)** |
| I* | Framing Rise from Floor | 1" (25mm) minimum* |
| J | Framing Depth | Vertical 19 -1/2" (495mm) Vertical Rise |
| | | Horizontal 16 1/2" (419mm) Rigid 12-3/4" (324mm) Flex |
| K | Corner Wall Length | 37 -1/2" (953mm) |
| L | Corner Facing Wall Width | 53-1/4" (1353mm) |
| M*** | Framed Chase Ceiling*** | 36" (914mm) Rigid*** 32" (813mm) Flex*** |
| N | Vent Centerline Height | 30" (762mm) Rigid 26" (660mm) Flex |

* The unit must be raised a minimum of 1" above the finished floor.

** Dimension H = H + I (minimum)

*** Dimension M = M + I (minimum)

| Clearance: | Dimension | Measured From: |
|-----------------|------------|--------------------------------|
| A: Rise | 1" minimum | Finished Floor |
| B: Sidewall | 7-1/2" | Side of Unit |
| C: Ceiling | 30" | Top of Unit |
| D: Alcove Width | 48" | Sidewall to Sidewall (Minimum) |
| E: Alcove Depth | 36" | Front to back wall (Maximum) |

WARNING

Failure to maintain required clearances is a major cause of chimney related fires. Installation of this fireplace must comply with these clearances

Please note: Due to ongoing product development, product appearance and specifications are subject to change without notice.

This manual is intended to be a Sales Reference Guide only. Do NOT use for actual framing and installation of any unit. Some specifications may change without notice. You must use the actual manual for exact installation specifications.

Venting Arrangements - Horizontal Terminations

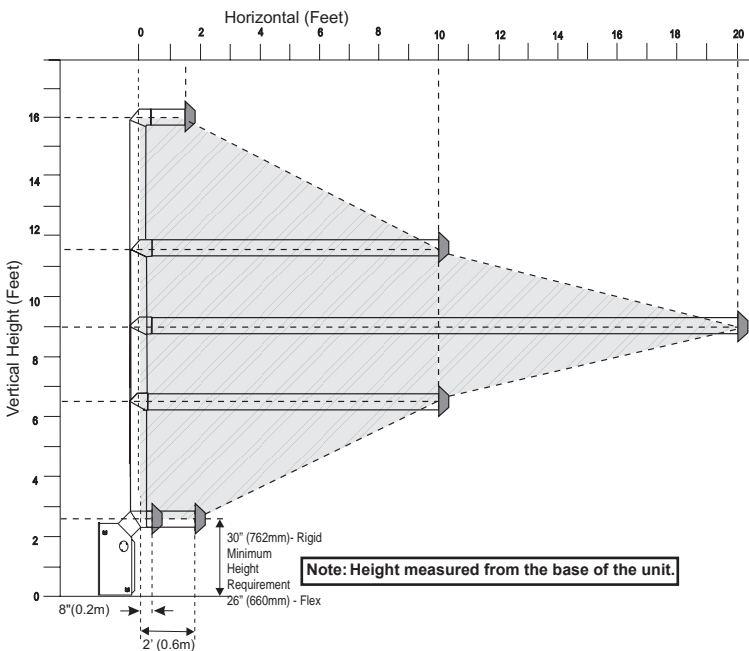
This lightly shaded area of the diagram shows allowable combinations of vertical runs with horizontal terminations, using one 45° and one 90° elbow (two 45° elbows equal one 90° elbow).

Note: Must use optional rigid pipe adapter (Part # 510-994) when using Rigid Pipe.

- Maintain clearances to combustibles.
- Horizontal vent must be supported every 3 feet.
- Firestops are required at each floor level and whenever passing through a wall.

A vent guard may be required as per local codes, refer to **Exterior Vent Termination Locations**.

Note: FPI Direct Vent System (Flex) is only approved for horizontal terminations.



Venting Arrangements - Vertical Terminations

Rigid Pipe System

(Propane & Natural Gas)

The P33 is approved for a maximum 40 ft. straight vertical, with **Rigid Pipe** vent systems for Propane and Natural Gas.

The lightly shaded area, in the diagram shows allowable venting configurations with a maximum two 45° elbows.

The darker shaded area, in the diagram shows allowable venting configurations using one 45° and one 90° elbow.

- **Vent must be supported at offsets.**
- **Horizontal sections must be supported every 3 feet.**
- **Firestops are required at each floor level and whenever passing through a wall.**
- **Maintain clearances to combustible materials.**
- **Minimum of 1' pipe section between elbows.**

Note: Must use optional rigid pipe adapter when using Rigid Pipe (Part # 510-994).

